

Product availability: Stock - Normally stocked in distribution facility



Main

Range of Product	Modicon STB distributed I/O solution
Product or Component Type	Parallel interface kit
Product Specific Application	TeSys Quickfit TeSys U

Complementary

Kit composition	Terminal spring clamp connector STBXBA3000 base Terminal screw type connector STBEPI2145 module
Number of input channels	12
Input voltage	24 V
Input voltage type	DC
Input voltage limits	15...30 V at state 1 -3...5 V at state 0
Current state 0 guaranteed	≤ 0.5 mA
Current state 1 guaranteed	≥ 2 mA
Number of output channels	8
Output voltage	24 V
Output voltage type	DC
Protection type	Power protection integrated fuse on PDM time lag 10 A Overload protection Short-circuit protection Input protection resistor-limited
Cold swapping	Yes
Hot swapping fallback	Yes for standard NIMs
Fallback status	State 0 basic NIMs User configurable standard NIMs
Electrical Connection	4 RJ45 connectors
[Us] rated supply voltage	24 V DC
Supply	Power distribution module
Product Compatibility	Power distribution module STBPDT3100/3105 Mounting base STBXBA3000

Current consumption	<= 100 mA 24 V DC sensor bus <= 220 mA 24 V DC actuator bus for 150 ms 100 mA 5 V DC logic bus 50 mA 24 V DC actuator bus (with all 8 outputs at state 0) 80 mA 24 V DC actuator bus per output at state 1
Marking	CE
Overvoltage category	II
Status LED	Module status (RDY) 1 LED Green) Module error (ERR) 1 LED Red) Switch position (S1 and S2) 2 LEDs Green) Output status 4 LEDs Green)
Maximum Depth	6.69 In (170 mm)
Maximum Height	1.11 In (28.1 mm)
Maximum Width	5.05 In (128.3 mm)
Net Weight	0.36 Lb(US) (0.165 kg)

Environment

Product Certifications	FM Class 1 Division 2 UL CSA
Pollution degree	2 IEC 60664-1
Operating altitude	<= 6561.68 ft (2000 m)
IP degree of protection	IP20 conforming to EN 61131-2 class 1
Ambient air temperature for operation	-13...158 °F (-25...70 °C) without derating)
Ambient Air Temperature for Storage	-40...185 °F (-40...85 °C)
Relative humidity	95 % 140 °F (60 °C) without condensation
Vibration resistance	3 gn 58...150 Hz 35 x 7.5 mm symmetrical DIN rail 5 gn 58...150 Hz 35 x 15 mm symmetrical DIN rail +/-0.35 mm 10...58 Hz
Shock resistance	30 gn 11 ms IEC 88 reference 2-27

Ordering and shipping details

Category	18215 - ADVANTYS STB I/O
Discount Schedule	PC32
GTIN	03595863933130
Nbr. of units in pkg.	1
Package weight(Lbs)	5.68 Oz (161 g)
Returnability	Yes
Country of origin	ID

Packing Units

Unit Type of Package 1	PCE
Package 1 Height	1.38 In (3.5 cm)
Package 1 width	3.15 In (8 cm)
Package 1 Length	5.12 In (13 cm)
Unit Type of Package 2	S02
Number of Units in Package 2	20
Package 2 Weight	8.04 Lb(US) (3.646 kg)
Package 2 Height	5.91 In (15 cm)
Package 2 width	11.81 In (30 cm)
Package 2 Length	15.75 In (40 cm)

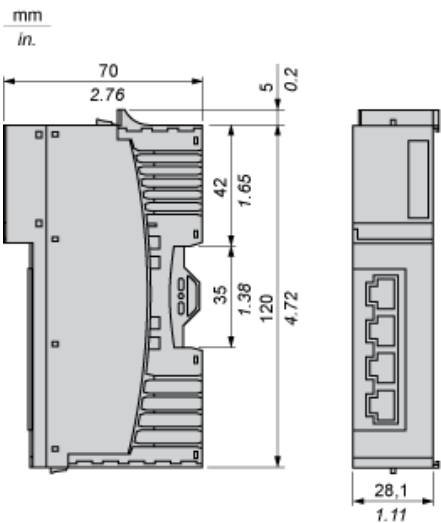
Offer Sustainability

Sustainable offer status	Green Premium product
California proposition 65	WARNING: This product can expose you to chemicals including: Lead and lead compounds, which is known to the State of California to cause cancer and birth defects or other reproductive harm. For more information go to www.P65Warnings.ca.gov
REACH Regulation	REACH Declaration
EU RoHS Directive	Pro-active compliance (Product out of EU RoHS legal scope) EU RoHS Declaration
Mercury free	Yes
RoHS exemption information	Yes
China RoHS Regulation	China RoHS Declaration
Environmental Disclosure	Product Environmental Profile
Circularity Profile	End Of Life Information
WEEE	The product must be disposed on European Union markets following specific waste collection and never end up in rubbish bins.

Contractual warranty

Warranty	18 months
----------	-----------

Dimensions



Product Life Status : **Commercialised**